

990-0070M

**MOTORIZED VARIABLE ATTENUATOR
FOR LINEARLY POLARIZED LASER BEAM**


This motorized variable attenuator/beamsplitter consists of special design opto-mechanical Adapter and precision opto-mechanical holder 840-0193. Two Thin Film Brewster type polarizers, which reflect s-polarized light while transmitting p-polarized light, are housed into Adapter. Quartz Half Waveplates are housed in motorized rotation stage 960-0161.

The intensity ratio of those two beams may be continuously varied without alteration of other beam parameters by rotating the waveplate. The intensity of either exit beam, or their intensity ratio, can be controlled over a wide dynamic range. P-polarization could be selected for maximum transmission, or high-purity s-polarization could be reflected when maximum attenuation of the transmitted beam takes place. The holder 840-0193 allows to adjust Angle Of Incidence of the Thin Film Brewster type polarizers by $\pm 2^\circ$ and to get the maximum polarization contrast.

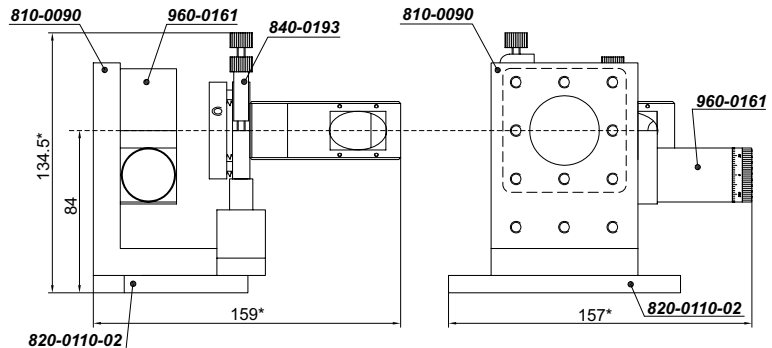
Ordering information

Please note: these motorized variable attenuators for linearly polarized laser beam are provided without controller and power supply. If you would like to order the complete solution (controller 980-0841 and power supply: PSC30U-120V), please add CP to code and 600 EUR to price.

An examples:

990-0070-266M – motorized attenuator without controller and power supply. Price – 1630 EUR

990-0070-266M+CP – motorized attenuator with controller (990-0841) and power supply (PSC30U-120V). Price – 2230 EUR


For Nd:YAG Laser Applications

Catalogue number	Wavelength, nm	Price, EUR
990-0070-266M	266	1630
990-0070-355M	355	1530
990-0070-532M	532	1430
990-0070-1064M	1064	1430

Multi order half waveplate is housed in Motorized Rotation Stage 960-0161 and Polarizer with adapter in Kinematic Optical Mount 840-0193 for Nd:YAG laser application (laser damage threshold: 5 J/cm², 10 ns pulses, 10 Hz at 1064 nm, typical).

For Femtosecond Applications

Catalogue number	Wavelength, nm	Price, EUR
990-0070-343M	343	1620
990-0070-400M	400	1520
990-0070-400BM	390-410	1670
990-0070-515M	515	1520
990-0070-515BM	505-525	1670
990-0070-800M	800	1520
990-0070-800BM	780-820	1670
990-0070-1030M	1030	1520
990-0070-1030BM	1010-1050	1670

Zero order optically contacted half waveplate is housed in Motorized Rotation Stage 960-0161 and Polarizer with adapter in Kinematic Optical Mount 840-0193 for femtosecond laser application (laser damage threshold: >10 mJ/cm², 50 fsec pulse, 800 nm typical).

For High Power Femtosecond Applications

Catalogue number	Wavelength, nm	Price, EUR
990-0070-266HM	266	1800
990-0070-343HM	343	1695
990-0070-400HM	400	1595
990-0070-400HBM	390-410	1745
990-0070-515HM	515	1595
990-0070-515HBM	505-525	1745
990-0070-800HM	800	1595
990-0070-800HBM	780-820	1745
990-0070-1030HM	1030	1595
990-0070-1030HBM	1010-1050	1745

Zero Order Air-Spaced half waveplate is housed in Motorized Rotation Stage 960-0161 and Polarizer with adapter in Kinematic Optical Mount 840-0193 for high power femtosecond laser application (laser damage threshold: >100 mJ/cm², 50 fsec pulse, 800 nm typical).